

Plafondtegel-luidsprekers zijn over het algemeen minderwaardige klinkende luidsprekersystemen omdat door het ontbreken van een klankkast, de weergave negatief wordt beïnvloed. Maar de audio-respons van de AUDAC de CIRA524 overtreft de kwaliteit van veel gelijkaardige luidsprekers van de concurrenten. De CELO5 en CELO6 of zelfs de CELO8 zijn in staat om een hifi-geluid te leveren met details in beide hoge en lage frequenties ongehoord in dit type luidsprekers. Maar als het op de verstaanbaarheid van spraak ertoe doet, biedt de CIRA524 een uitstekende prijs-kwaliteitverhouding en hoeft deze niet onder te doen voor zijn concurrenten.

Les haut-parleurs de plafond sont généralement des systèmes de haut-parleurs de qualité inférieure car en raison de l'absence d'une enceinte acoustique, la reproduction audio est inférieure. Mais la réponse du CIRA524 de l'AUDAC surpasse la qualité de nombreux haut-parleurs de dimension similaires de la concurrence. Le CELO5 et le CELO6 ou même le CELO8 sont capables de délivrer un son qui pourra être qualifié de haute fidélité avec des détails dans les basses et hautes fréquences inouïes pour ce type de haut-parleur. Mais si l'intelligibilité de la parole compte, le CIRA524 offre une valeur qualité/prix et sans être inférieur à ses concurrents.

Ceiling tile speakers are generally poor sounding speaker systems because the acoustics diminish the audio response due to the absence of an acoustic enclosure. However the audio response of the AUDAC CIRA524 exceeds in quality when compared to many of the similar speakers made by competitors. The CELO5 and CELO6 or even the CELO8 are able to deliver a high fidelity sound with details in both high and low frequencies unheard in his type of speakers. But if the intelligibility of speech matters, the CIRA524 is an outstanding value for money and isn't inferior to its competitors



With white grill



CIRA-524



With black grill



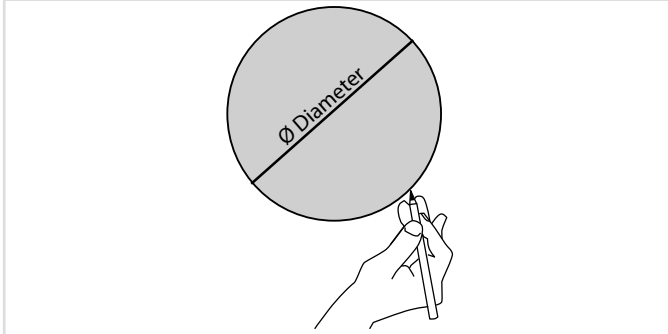
Optional black grill: GLU05



INSTALLATION MANUAL

CIRA SERIES QUICK-FIT™ CEILING SPEAKERS WITH TWIST-FIX™ GRILL

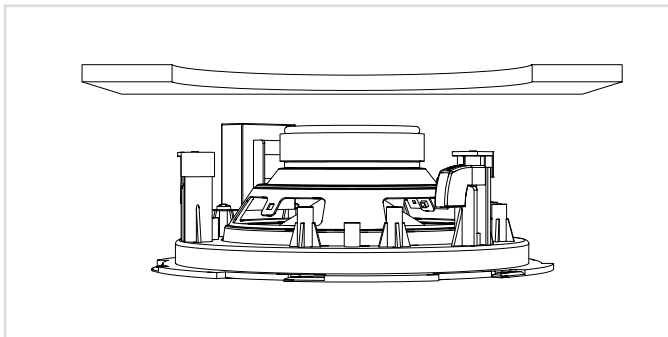
STEP 1



Cut a hole on the mounting location in the ceiling. Make sure the diameter is matching the cut-out measurement for the installing loudspeaker.

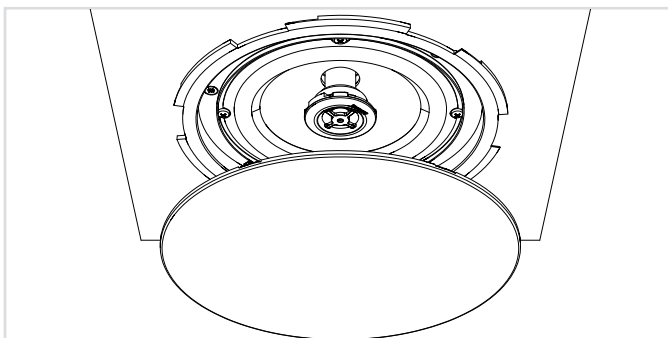
Double check if there are no cables or other obstructions behind the mounting surface before making the cut-out.

STEP 3



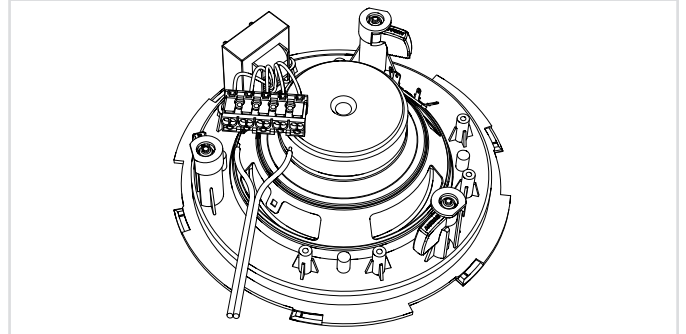
Make sure the mounting clamps are fully bended inwards, allowing the speaker fit through the cut-out. Insert the speaker to the opening.

STEP 5



Attach the grill to the speaker by inserting the lips into the provided openings on the speaker baffle and rotating it over a partial turn (15°).

STEP 2

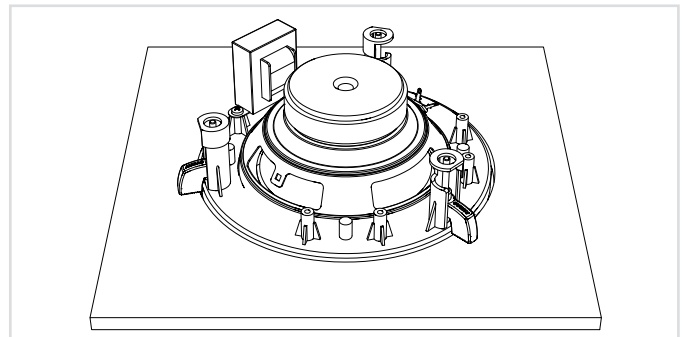


Connect the wires coming from the amplifier to the FastCon™ terminal block connector on the loudspeaker.

The correct power tapping is chosen by connecting the appropriate terminals of the connector. A description of the power tap selection is shown on the magnet sticker on the rear side of the loudspeaker.

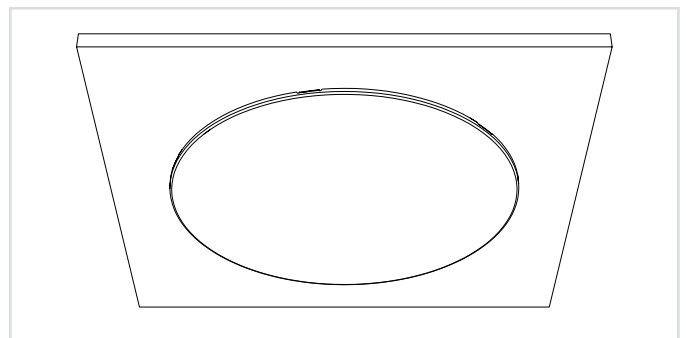
When using 100V speakers in low impedance mode (8Ω), disconnect the ground wires by interrupting the cable lugs.

STEP 4



Fix the speaker in the provided opening by tightening the screws of the mounting clamps using a screw driver. A quarter turn will make the mounting clamps flip-out, locking the speaker in place. Tighten the screws for proper fixation of the speaker.

STEP 6



The speaker is now correctly installed and ready for use.



INSTALLATION MANUAL

CIRA SERIES QUICK-FIT™ CEILING SPEAKERS WITH TWIST-FIX™ GRILL

Model	Max. Power	RMS Power	Cut-out dimension	Dimensions	Line transformer power tapplings - Impedance
CIRA506	60 Watt	30 Watt	Ø 170 mm	Ø 193 x 83 mm	6W / 3W / 1.5W - 8 Ω
CIRA524	60 Watt	30 Watt	Ø 170 mm	Ø 193 x 83 mm	24W / 12W / 6W - 8 Ω
CIRA530D	60 Watt	30 Watt	Ø 170 mm	Ø 193 x 83 mm	16 Ω
CIRA724	60 Watt	30 Watt	Ø 200 mm	Ø 224 x 78 mm	24W / 12W / 6W - 8 Ω
CIRA730D	60 Watt	30 Watt	Ø 200 mm	Ø 224 x 78 mm	16 Ω
CIRA824	80 Watt	40 Watt	Ø 243 mm	Ø 270 x 82 mm	24W / 12W / 6W - 8 Ω
CIRA840D	80 Watt	40 Watt	Ø 243 mm	Ø 270 x 82 mm	16 Ω

PRECAUTIONS

- ALWAYS KEEP THESE INSTRUCTIONS FOR FUTURE REFERENCE. NEVER THROW THEM AWAY
- ALWAYS HANDLE THIS UNIT WITH CARE
- CLEAN ONLY WITH DRY CLOTH
- HEED ALL WARNINGS AND FOLLOW ALL INSTRUCTIONS
- NEVER EXPOSE THIS EQUIPMENT TO RAIN, MOISTURE, ANY DRIPPING OR SPLASHING LIQUID.
- DO NOT INSTALL THIS UNIT NEAR ANY HEAT SOURCES SUCH AS RADIATORS OR OTHER APPARATUS THAT PRODUCE HEAT
- DO NOT PLACE THIS UNIT IN ENVIRONMENTS WITH A HIGH LEVEL OF DUST, HEAT, MOISTURE OR VIBRATION
- THIS UNIT IS DEVELOPED FOR INDOOR USE ONLY. DO NOT USE IT OUTDOORS
- ONLY USE ATTACHMENTS & ACCESSORIES SPECIFIED BY THE MANUFACTURER.
- ONLY INSTALL THE SPEAKER IN LOCATIONS THAT CAN STRUCTURALLY SUPPORT THE WEIGHT OF THE SPEAKER. IGNORING THIS CAN BRING THE SPEAKER DOWN.
- DO NOT USE ANY OTHER METHOD THAN SPECIFIED TO MOUNT THE SPEAKER. IF EXTREME FORCE IS APPLIED TO THE SPEAKER, IT COULD FALL DOWN
- ATTACH A SAFETY WIRE TO THE SPEAKER WHEN IT IS MOUNTED HIGH UP. ONLY USE INDUSTRY-ACCEPTED RIGGING TOOLS AND METHODS
- CAREFULLY CHECK THE UNIT'S CONDITION AFTER UNPACKING.
- IF THERE IS ANY DAMAGE TO THE CARTON BOX OR THE UNIT ITSELF, INFORM YOUR VENDOR IMMEDIATELY.
- ALWAYS FOLLOW THE LOCAL REGULATIONS AND REQUIREMENTS REGARDING INSTALLATION, SUSPENSION AND CONNECTION OF THIS LOUDSPEAKER. EVEN WHEN OTHERWISE SPECIFIED IN THIS DOCUMENT.
- THE INSTALLATION OF THIS LOUDSPEAKER SHALL BE DONE BY QUALIFIED PERSONNEL ONLY.
- USE CABLES OF THE RIGHT GAUGE TO CONNECT THE LOUDSPEAKER
- USE CABLES WITH CLEAR COLOR CODING INDICATING THE POLARITY AND MAINTAIN THE SAME POLARITY THROUGHOUT THE WHOLE SYSTEM.
- ONLY USE THE CORRECT AMPLIFIER OUTPUT VOLTAGE AND IMPEDANCE. EXCEEDING THESE LIMITS COULD CAUSE FIRE OR OTHER FAILURES.
- AVOID EXPLOSIONS: DO NOT USE THE SPEAKER AROUND GASOLINE, THINNER OR OTHER COMBUSTIBLES
- AVOID ELECTRIC SHOCKS: SWITCH OFF THE AMPLIFIER WHEN CONNECTING THE LOUDSPEAKER
- DO NOT USE THE LOUDSPEAKER FOR AN EXTENDED PERIOD OF TIME AT DISTORTED SOUND. THIS COULD CAUSE PERMANENT DAMAGE.

CAUTION - SERVICING

This product contains no user serviceable parts. Refer all servicing to qualified service personnel. Do not perform any servicing (unless you are qualified to do so.)

EC DECLARATION OF CONFORMITY

This product conforms to all the essential requirements and further relevant specifications described in following directives: 2014/30/EU (EMC) and 2014/35/EU (LVD)

WASTE OF ELECTRICAL AND ELECTRONIC EQUIPMENT (WEEE)

The WEEE marking indicates that this product should not be disposed with regular household waste at the end of its product life. This regulation is created to protect both the environment and human health.

This product is developed and manufactured with high quality materials and components which can be recycled and/or reused. Please dispose of this product at your local collection point or recycling center for electrical and electronic waste. Do this to make sure that the product is recycled in an environmental friendly way, and help to protect the environment in which we all live.